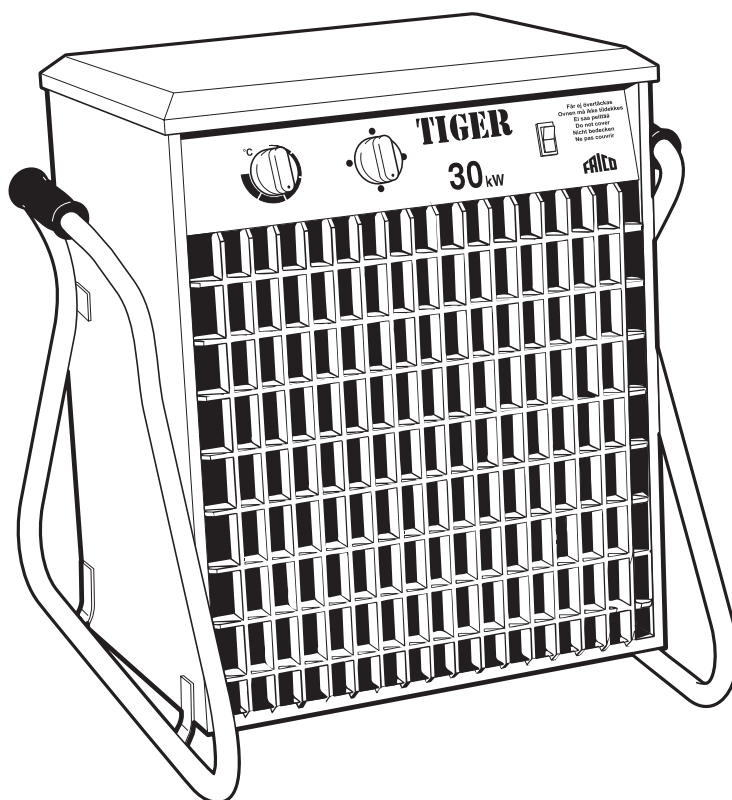


# FRICO

## Tiger 20-30 kW



SE

... 3

DE

... 6

NO

... 4

NL

... 7

GB

... 5

# Tiger 20-30 kW

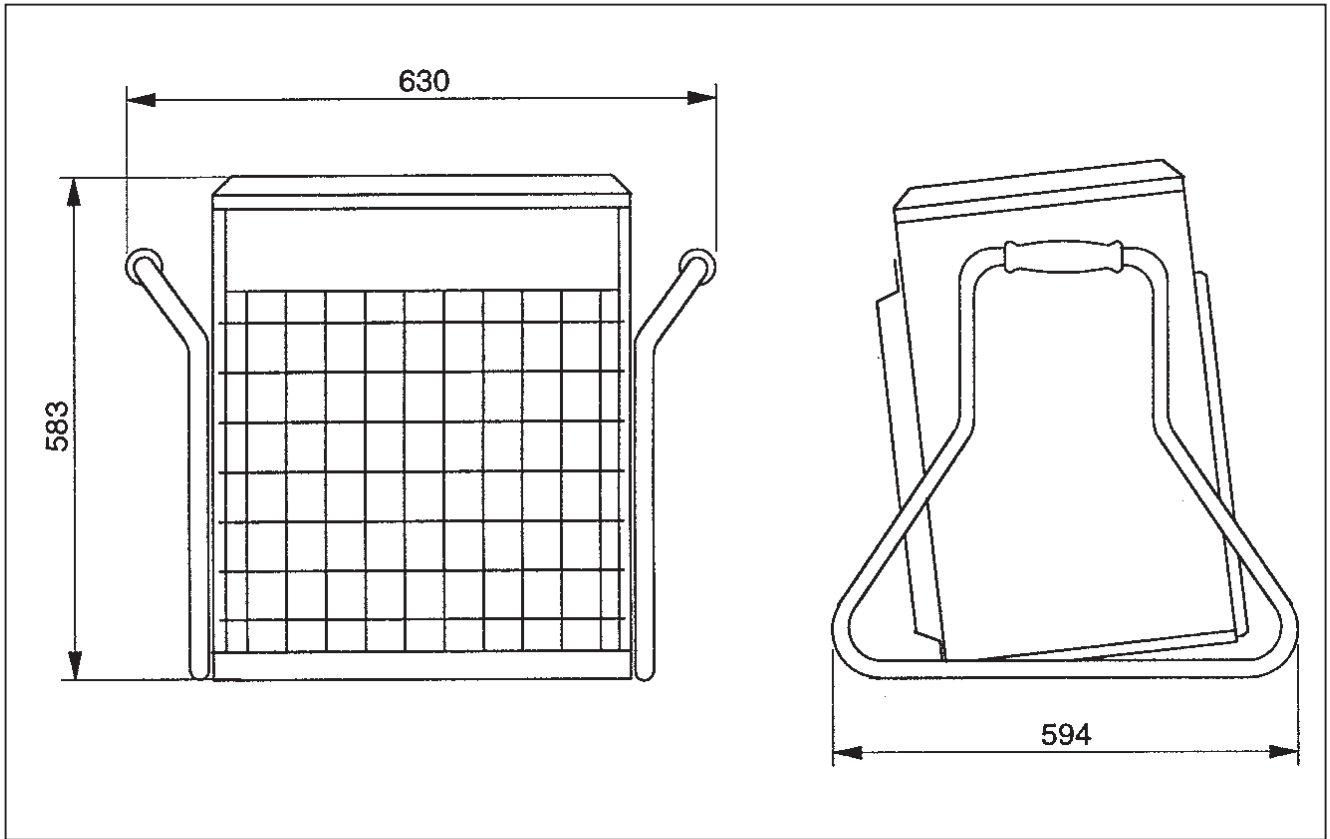
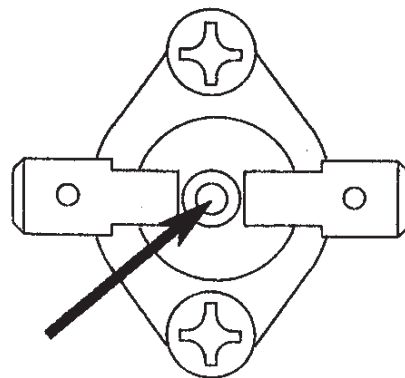


Fig 1



# Tiger 20-30 kW

GB

## Application area

The heater fans type TIGER are intended to heat buildings. The fans are suitable for use in different areas such as warehouses, workshops etc. The heater fans are approved by SEMKO.  
Protection class: Splashproof design

## Electrical connection

The heater fans are fitted with a 1.8 m long cable.

## Operation



Position of the output selector, see technical data



Working range of the thermostat 5-40°C



The fan selector has two speed positions

IF the unit does not work the first time it is used, the temperature cut-out may have tripped during transport. See "Overheating".

## Overheating

If the unit overheats the in-built temperature cut-out will trip. Reset the temperature cut-out once the unit has cooled and the fault has been rectified (Fig.1).

*NOTE! All work inside the unit's connection area must be carried out by a qualified technician and while the unit is not voltage fed.*

## Maintenance

Normally the heater fans do not require any maintenance. Dirt and dust can however cause overheating and represent a fire risk. Consequently, the unit should be cleaned periodically.

## Earth-fault breaker

If the installation is protected by an earth-fault breaker, which trips when the unit is connected, this may be due to moisture in the heating element. When a unit containing a heater element has not been used for a long period and is stored in a damp environment moisture can enter the element. This should not be seen as a fault, but is simply rectified by connecting the unit to the mains supply via a socket without an earth-fault breaker so that the moisture can be driven out of the element.

The drying time can vary from a few hours to a few days. When the heater shall not be used for a long period a good preventive measure is to occasionally run the heater for a short time.

## Safety

- The unit must not be used in the immediate vicinity of baths, showers, washbasins or swimming pools
- During operation the surfaces of the unit are hot
- The unit should not be positioned so that inflammable materials can ignite
- The unit must not be partly or fully covered with clothes or similar material as overheating can represent a fire risk
- The unit must not be placed directly under a permanent wall socket

Type		P203	P303
Output	kW	20	30
Connection voltage	V	400V 3~	400V 3~
Current intensity	A	29,5	43,9
Output staging	kW	0-10-20	0-10-20-30
Temperature increase on throughput air	°C	31-23	47-34
Air flow	m <sup>3</sup> /h	1900-2600	1900-2600
Weight	kg	26	30



## Declaration of Conformity

We

**Frico AB**

**Box 102**

**S-433 22 Partille**

under own responsibility hereby declare that the following product(s)

**Portable Fan-heaters, series Tiger**

**Type: P21, P31, P33 and P53**

**P93**

which is(are) covered by this declaration of conformity comply with the

**EC Electromagnetic Compatibility (EMC) Directive 89/336 /EEC & 92/31 EEC**

**EC Low Voltage Directive (LVD) 73/23/EEC**

and is(are) manufactured in accordance with the following stated harmonised standard(s) or other normative document(s).

**EMC: EN 55 014: 1993**

**EN 55 104**

**EN 61 000-3-2/3: 1991**

**LVD: EN 60 335-2-30: 1992**

**Partille , 15 December 1995**

**Mats Careborg  
Technical Manager**

# Tiger 20-30 kW

---

**Main office**

FRICO AB  
Box 102  
S-433 22 Partille  
SWEDEN

Tel: +46 (0)31 336 86 00  
Fax: +46 (0)31 26 28 25  
e-mail: [mailbox@frico.se](mailto:mailbox@frico.se)  
<http://www.frico.se>

**Norway**

FRICO AS  
Postboks 82, Alnabru  
N-0614 Oslo  
NORWAY

Tel: +47 (0)2 272 38 44  
Fax: +47 (0)2 272 38 39  
e-mail: [mailbox@frico.no](mailto:mailbox@frico.no)  
<http://www.frico.no>

**France**

FRICO FRANCE  
7, rue de la libération  
F-69 270 Fontaines sur Saone  
FRANCE

Tel: +33 (0) 4 72 42 99 42  
Fax: +33 (0) 4 72 42 99 49  
e-mail: [info@frico.fr](mailto:info@frico.fr)

**Russia**

FRICO representative office in Russia  
1 st Golutvinsky per., 3  
Moscow 109180  
RUSSIA

Tel/Fax: +7 095 238 63 20  
e-mail: [frico@orc.ru](mailto:frico@orc.ru)